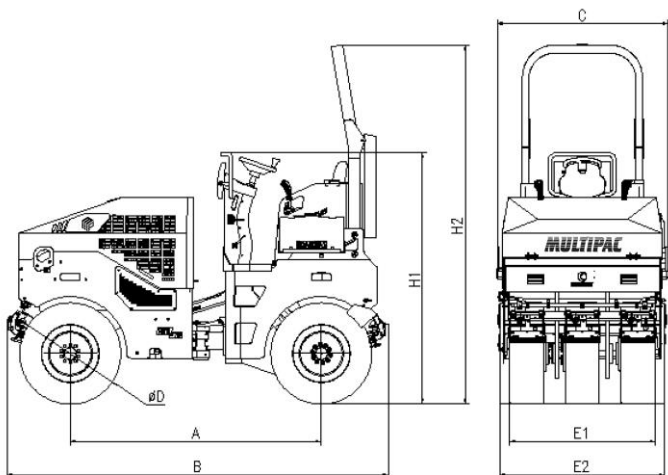


MULTIPAC



TM40H

- ❖ Articulated Tandem Roller
- ❖ Two Pneumatic Sets of Tyres



A	mm	1950
B	mm	2955
C	mm	1326
D	mm	785
E1	mm	1127
E2	mm	1276
H1	mm	1944
H2	mm	2775

Tier 4
EURO STAGE V

TECHNICAL DATA	UNIT	TM40H
Diesel Engine		
Manufacturer		Yanmar (Japan)
Model		4TNV88-BDLDW
Emission Compliancy		Tier 4 / Euro Stage V
Cylinders		4
Rated Power	HP/ Kw	50 / 35 @ 2200rpm
Displacement	L	2.19
Type		water-cooled, 4 stroke
Operating Weights		
Minimum weight	Kg	3700
Maximum weight	Kg	4200
Maximum load per wheel	Kg	571.42/ 495.25
Machine dimensions		
Wheel Base	mm	1950
Load Height	mm	1944
Total Length	mm	2955
Total Width	mm	1276
Total Height	mm	2775
Ground Clearance	mm	308
Tyre Width	mm	230
Steering Angle	±	30
Wheel Dimensions		
Tyre Spec		10.5/80-6PR
Number of wheels	Front & Rear	3 / 4
Width over tyres	mm	1127/1276
Steering		
Steering Type		Articulated
Drive		
Type		Hydrostatic
Climbing ability	%	44
Speed Variable	Km/h	0 - 16
Hydraulic System		
Pump		Axial Piston pump variable displacement
Manufacturer		Danfoss (Germany)
Drive		Radial piston motors
Manufacturer		Poclairn (France)
Steering		Gear pump constant displacement
Park Brake		Wet disc - fail safe
Sprinkler System		
Type		Pressurised water
Mode		Pulsed spray
Fill Capacities		
Fuel Tank	L	74
Water Tank	L	220
Emulsion Tank	L	25
Engine Oil	L	6.5

Standard Equipment

Foldable ROPS, LED work lights front, LED work lights rear, LED beacon, 3 point articulation, Dashboard, Dashboard security cover lockable, Audio visual alarm system, Indicator lights, Battery isolation switch, Anti-slip platform, Anti-slip entry steps, Safety hand rail, Emergency stop switch, Entry from both sides, Pressurised water sprinkling, Water spray switch, 7 tyre brushes, 14 nylon tyre scrapers spring adjusted, Neutral start safety switch, Articulation lock bar, Remote drain plugs, Hydrostatic steering, Automatic engine off function, Backup alarm

