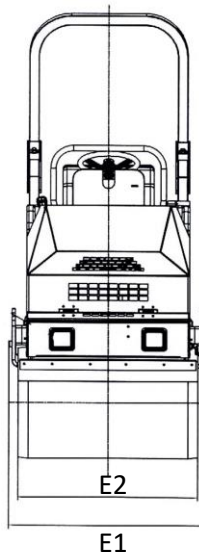
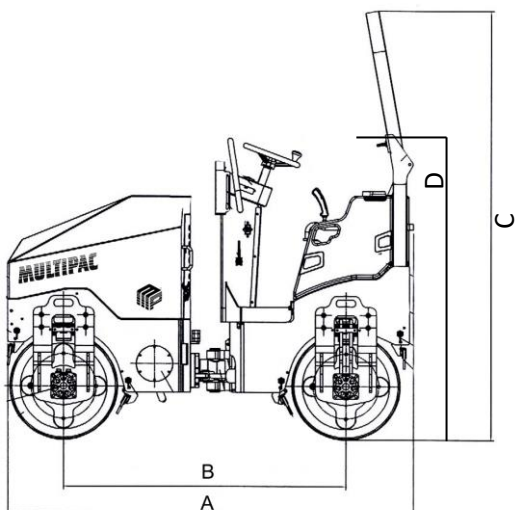


# MULTIPAC



# T15H

- ❖ Articulated Tandem Roller
- ❖ Twin Drum with Twin Vibration



A	mm	2080
B	mm	1540
C	mm	2230
D	mm	1535
E1	mm	980
E2	mm	900



EU STAGE IIIA

TECHNICAL DATA	UNIT	T15H
<b>Diesel Engine</b>		
Manufacturer		Yanmar ( <i>Japan</i> )
Model		3TNV76
Emission Compliancy		Tier 4 / Euro Stage IIIA
Cylinders		3
Rated Power	HP/ Kw	26 / 19.6 @ 3000rpm
Displacement	L	1.116
Type		water-cooled, 4 stroke
<b>Operating Weights</b>		
Minimum weight	Kg	1500
Maximum weight	Kg	1700
<b>Machine dimensions</b>		
Load Height	mm	1535
Total Length	mm	2080
Width of Drum	mm	900
Total Width	mm	980
Total Height	mm	2230
Wheel Base	mm	1540
Ground Clearance	mm	308
Diameter of Drum	mm	560
Steering Angle	±	30
Turning radius inside	mm	1850
<b>Vibration Performance</b>		
Static Linear Load	N/CM	80/85
Amplitude Front / Rear	mm	0.5 / 0.5
Centrifugal Force Front / Rear	kN	22 / 22
Vibration Frequency	Hz	65
<b>Steering</b>		
Steering Type		Articulated
<b>Drive</b>		
Type		Hydrostatic
Climbing ability	%	42
Climbing Ability with Vibration	%	32
Speed Variable	Km/h	0 - 12
<b>Hydraulic System</b>		
Pump		Axial Piston pump variable displacement
Manufacturer		Danfoss ( <i>Germany</i> )
Drive		Radial piston motor x 2
Manufacturer		Poclair ( <i>France</i> )
Vibration Motor		Gear Pump x 2
Manufacturer		Danfoss ( <i>USA</i> )
Steering		Gear pump constant displacement
Park Brake		Wet disc - fail safe
<b>Sprinkler System</b>		
Type		Pressurised water
Mode		Pulsed/ Constant spray
<b>Fill Capacities</b>		
Fuel Tank	L	35
Water Tank	L	150
Emulsion Tank	L	25
Engine Oil	L	3.8

### Standard Equipment

TFoldable ROPS, LED work lights front, LED work lights rear, LED beacon, 3 point articulation, Dashboard, Dashboard security cover lockable, Audio visual alarm system, Indicator lights, Battery isolation switch, Anti-slip platform, Anti-slip entry steps, Safety hand rail, Emergency stop switch, Entry from both sides, Pressurised water sprinkling, Water spray switch, 4 x nylon Drum scrapers spring adjusted, Neutral start safety switch, Articulation lock bar, Remote drain plugs, Hydrostatic steering, Automatic engine off function, Backup alarm

