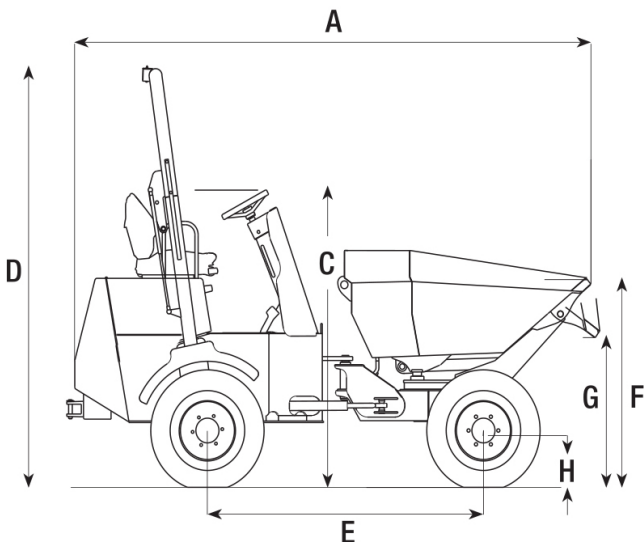


- ❖ 3500kg Site Dumper
- ❖ 180° Power Swivel

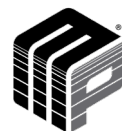


- ❖ Ergonomic Operators station
- ❖ Foldable ROPS FOPS Open Canopy
- ❖ Heavy Duty 3 - Point Articulation Joint
- ❖ High Performance 2 Speed Drive
- ❖ 180° Power swivel Hopper

TECHNICAL DATA	UNIT	104HP
<b>Diesel Engine</b>		
Manufacturer		Yanmar
Model		4TNV 88-VDSA2
Emission Compliancy		Tier 4 / Euro Stage V
Cylinders		4
Rated Power	HP/ Kw	55 / 38.7 @2400rpm
Displacement	L	2.236
Type		water-cooled, 4 stroke
<b>Operating Weights</b>		
Payload weight Max	Kg	4000
Unladen weight	Kg	2800
<b>Machine dimensions</b>		
<b>A</b> Total Length	mm	4100
Total Width	mm	1858
<b>C</b> Heit to Steering Wheel	mm	2100
<b>D</b> Total Height	mm	2900
<b>E</b> Wheel Base	mm	2000
<b>F</b> Height to Skip Mouth (untipped)	mm	1700
<b>G</b> Height to Skip Mouth (tipped)	mm	1130
<b>H</b> Ground Clearance	mm	500
<b>Skip Capacities</b>		
Water	L	1020
Struck	L	1520
Heaped	L	1890
<b>Tipping</b>		
Type		Power Swivel
Tipping rotation	o	180
<b>Steering</b>		
Steering Type		Articulated
Steering Angle	±	30
Turning radius	m	8
<b>Drive</b>		
Type		4WD
Axles		Front & Rear
Manufacturer		Carraro ( <i>Italy</i> )
Service Brake Type		Wet Disc inboard oil immersed
Park Brake Type		Hydraulic actuated
Climbing ability	%	28
Speed Variable (Low & High)	Km/h	(1) 0 - 9 (2) 9 - 26
<b>Transmission</b>		
Type		Direct Drive Power shift
Torque convertor		Hydraulic Automatic stepless
Speeds		2 speed (high & Low)
<b>Hydraulic System</b>		
Pump		Axial Piston pump variable displacement
Manufacturer		Danfoss ( <i>Germany</i> )
Steering		Gear pump constant displacement
<b>Fill Capacities</b>		
Fuel Tank	L	40L

### Standard Equipment

ROPS foldable Roll Bar , 4 x LED work lights front & Rear, 2 x Head lights, LED beacon, 3 point articulation, LED Dash display (with integrated parameters, Audio visual alarm system, machine diagnostics) Indicator lights, Battery isolation switch, Anti-slip entry steps, Anti-slip floor, Safety hand rail, 1 x Emergency stop switch, Neutral start safety switch, Articulation lock bar, Remote drain plugs, Hydrostatic steering, Backup alarm, Lockable tool box, Fire extinguisher, Storage net, 2 x External mirror



1) According to 2000/14/EG & appendices. (2) According to 2000/14/EG & appendices.

(3) According to ISO 6396. (4) According to ISO 8041. \*Depending on the engine variant.

Multipac compaction rollers vouch for technical excellence, for powerful and reliable machines and for quality "Designed in Germany". In their respective domain, they exceed the currently applicable emission standards. According to the emission regulations of different countries, you have the choice to select the right engine type for your purpose.